



Lenkererhöhung YAMAHA FJR 1300 '01 – '06
Handle Bar Riser YAMAHA FJR 1300 '01 – '06

Montagehinweise

Alle vom Motorrad gelösten Schrauben sind gemäß Herstellerangaben wieder zu montieren, oder mit von SW-MOTECH gelieferten Schrauben zu ersetzen. Falls nicht anderweitig definiert, diese Schrauben nach Tabelle anziehen.

| | |
|-----|--------|
| M6 | 9,6 Nm |
| M8 | 23 Nm |
| M10 | 46 Nm |

Gegebenenfalls Schrauben mit flüssiger Schraubensicherung einkleben.

Prüfen Sie nach 50 km alle Verbindungen auf festen Sitz.

Mounting Instructions

SW-MOTECH products should be installed by a qualified, experienced motorcycle technician. If you are unsure of your ability to properly install a product, please have the product installed by your local motorcycle dealer. SW-MOTECH takes no responsibility for damages caused by improper installation.

All screws, bolts and nuts, including all replacement hardware provided by SW-MOTECH, should be tightened to the torque specified in the OEM maintenance manual for your motorcycle. If no torque specifications are provided in the OEM maintenance manual, the following torques may be used:

| | |
|-----|--------|
| M6 | 9,6 Nm |
| M8 | 23 Nm |
| M10 | 46 Nm |

All screws, bolts and nuts should be checked after driving the first 50 km to ensure that all are tightened to the proper torque.

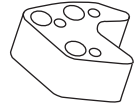


Medium strength liquid thread-locker (i.e., "Locktite") should be used to secure all screws, bolts and nuts.

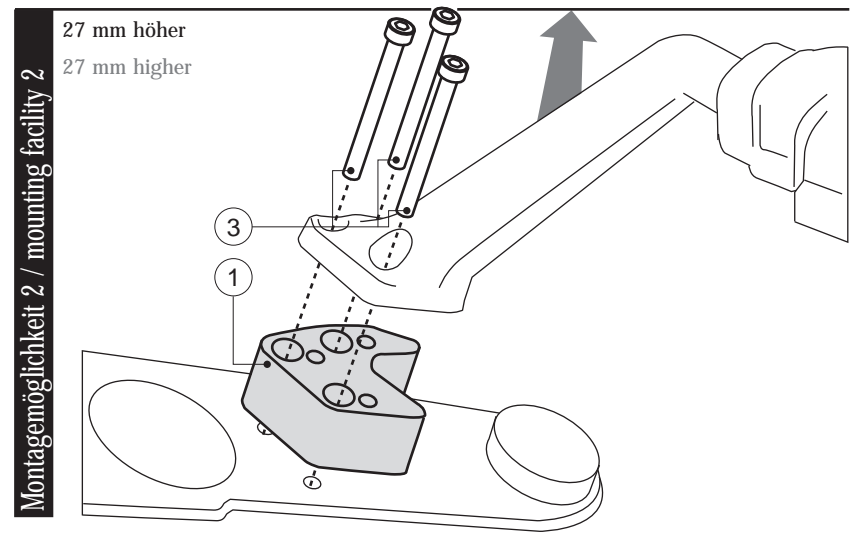
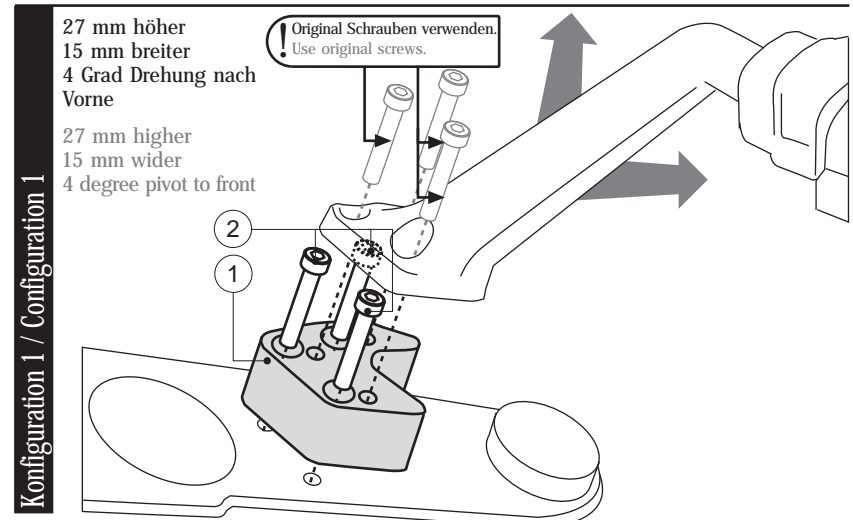
INFORMATION

Allgemeine Betriebserlaubnis (ABE)

Bitte laden Sie nach Montage dieses SW-MOTECH Produkts das dazugehörige ABE-Dokument von unserer Internetseite herunter. Sollten Sie über keinen Internetzugang verfügen, rufen Sie uns bitte an.

Tel. +49 (0) 64 25/8 16 8-00 · www.sw-motech.com

| | | |
|-----------------------------------------------------------------------------------------------------------------------------------------------------------------------------------|---------------------------------------------------------------------------------------------------------------------------------------------------------------------------------------|---------------------------------------------------------------------------------------------------------------------------------------------------------------------------------------|
| <p>1 Lenkererhöhung Handle Bar Riser</p>  <p>LEH.06.039.114 03 Anzahl/Pcs. 2 (L/R)</p> | <p>2 Innensechskantschraube Hexagon Socket Screw</p>  <p>M8 x 40 DIN 912 Anzahl/Pcs. 6</p> | <p>3 Innensechskantschraube Hexagon Socket Screw</p>  <p>M8 x 55 DIN 912 Anzahl/Pcs. 6</p> |
|-----------------------------------------------------------------------------------------------------------------------------------------------------------------------------------|---------------------------------------------------------------------------------------------------------------------------------------------------------------------------------------|---------------------------------------------------------------------------------------------------------------------------------------------------------------------------------------|



SW-MOTECH GmbH & Co. KG
Ernteweg 8/10
35282 Rauschenberg
Germany

Tel. +49 (0) 64 25/8 16 8-00
Fax +49 (0) 64 25/8 16 8-10

info@sw-motech.com
www.sw-motech.com